

Owner's Manual

GAS

CAR AUDIO

COMPETITION 7000.1D | **7000 WATTS RMS**
HIGH CLASS D AMPLIFIER

COMPETITION 12000.1D | **12000 WATTS RMS**
HIGH CLASS D AMPLIFIER



Installation

If you intend to install the amplifier yourself, please read the owner's manual carefully. Before you start the installation, please take all the necessary precautions into consideration.

Mounting Preparation

Disconnect the negative (-) battery cable before mounting or making any connections. Check the battery and alternator ground (-) connections. Make sure they are properly connected and free of corrosion. Before selecting a mounting location for the amplifiers, please take cooling and safety into consideration.

Avoid areas such as speaker boxes with excessive vibration !

For safety purposes, install the amplifier in a dry and well ventilated location and make sure no cables or other harnesses in the car interfere with the mounting location.

+12V(B+), GND, REM CONNECTION

+12V / B+ (POWER CONNECTION)

Before mounting the amplifiers, disconnect the negative (-) wire from the battery to protect any accidental damage to the amplifiers or the audio systems.

Connect the power cables to power terminal labeled as + 12V.

Some of the amplifiers are not equipped with fuses, so external fuses are required.

Connect one end of the fuse holder to the power cable and the other end of the fuse holder to the positive battery terminal within 18" of the battery.

This fuse location will protect the system and the vehicle against the possibility of a short circuit in the power cable.

Make sure that the fuses and the fuse holder are adequate for the desired application.

GND (GROUND CONNECTION)

Locate a secure grounding connection as close as possible to the amplifier.

Make sure the location is clean and provides direct electrical connection to the chassis of the vehicle.

Connect one end of an equal sized cable as the positive cable to the location of ground.

It is important that the ground cable is as short as possible, and no longer than 3 feet.

Run one end of the cable to the grounding point.

Run the other end of the cable to the mounting location.

Connect the ground cable to the terminal labeled as GND.

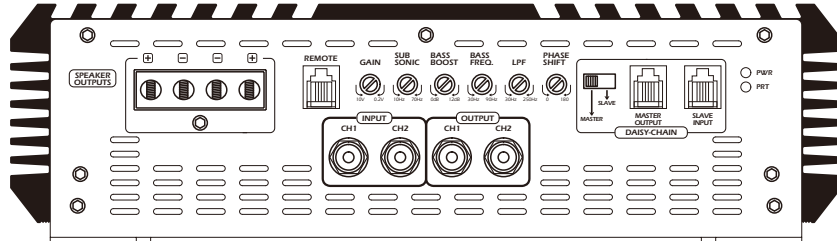
REM (REMOTE CONNECTION)

Run a remote turn on wire from the vehicles head unit.

Connect the remote turn on wire to the power terminal labeled as REM

Panel Layout

(COMPETITION 7000.1D / 12000.1D)



1) INPUT

Connect preamp signal cables from head unit to RCA input of amplifier.
Minimum level input of 0.2V is essential for correct operation.

2) OUTPUT

Output RCA for signal routing to another amplifier.

3) GAIN (10V ~ 0.2V)

Matches the output voltage of the head unit's RCA line-outs to the input section.

4) SUBSONIC FILTER (10Hz ~ 70Hz @ 24dB OCTAVE SLOPE)

Control the high pass point for the speaker outputs to eliminate xtreme low frequencies.

5) LOW PASS FILTER (30Hz ~ 250Hz @ 24dB OCTAVE SLOPE)

Controls the low pass points for speaker outputs.

6) BASS BOOST

Variable bass boost with 0-12 dB @ 30Hz ~ 90Hz.

7) PHASE CONTROL

Variable phase adjustment from 0~180 degrees

8) REMOTE LEVEL CONTROL PORT

Used for connecting to external wired remote controller.

9) REMOTE CONTROL (OPTIONAL ITEM)

Turn knob clockwise to increase level and likewise, turn knob counter clockwise decrease level.

10) MASTER OUTPUT / SLAVE INPUT

For linkable connection of 2 same amplifiers. Minimum impedance is 2 Ω .

In this mode, the master amplifier will control gain settings on the subsequent slaved amplifier.

11) POWER & PROTECTION INDICATOR

Power LED, green-lit or blue-lit shows correct operation. Protect LED, Red-lit shows general malfunction, faulty connection or thermal protection.

10) SPEAKER OUTPUTS

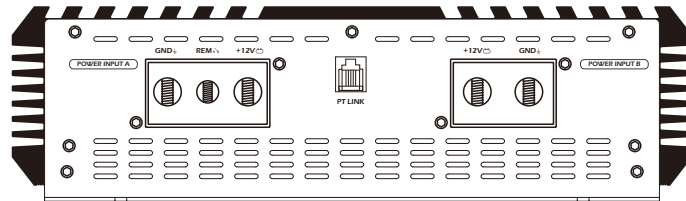
Amplifier connection to loudspeakers. Minimum size of speaker cable is 12 gauge.

Minimum impedance for single unit is 1 Ω .

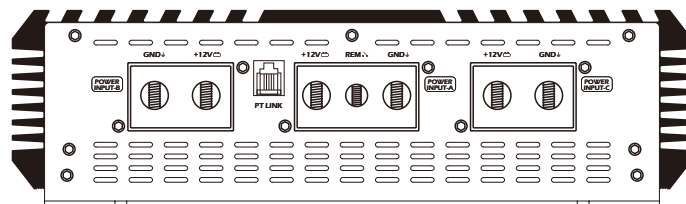
Minimum impedance in linked connections is 2 Ω .

+12V(B+), GND, REM

(COMPETITION 7000.1D)



(COMPETITION 12000.1D)



GND (GROUND CONNECTION)

For connection to chassis ground. For optimum performance, 0 gauge cable is recommended.

REM (REMOTE)

Connect to switched +12V from the head unit.

+12V / B+ (POWER CONNECTION)

For connection to positive terminal of battery (+12).
For optimum performance, 0 gauge cable is recommended.

PT Link

If you link two same amplifiers as master and slave connection, then connect the 2 amplifiers using the PT Link cable provided. In case when the master unit enters into protection, the slave unit will also enter into protection thereby protecting the slave unit from unexpected damage.

⚠ CAUTION

Before attempting to make any connections to power supply, input and output connectors, make sure the amplifier is in OFF state. Check polarity of cables carefully as using reversed polarity will cause damage to amplifier. And to prevent power loss and overheating of wiring, always use the recommended wire gauges.

⚠ CAUTION

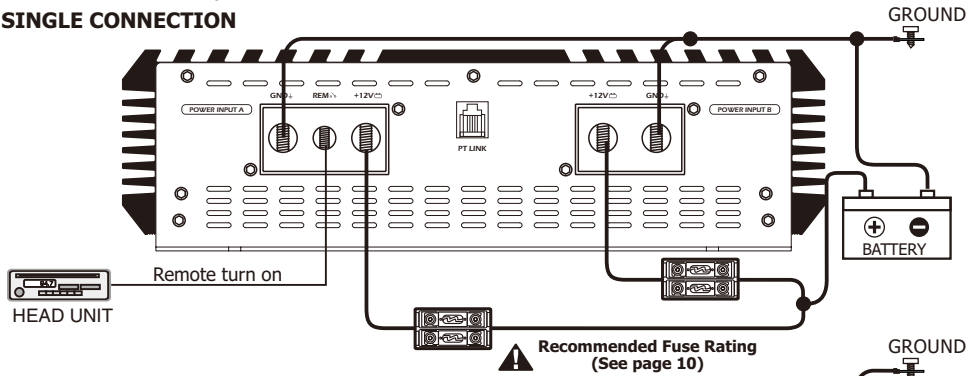
Installation of the amplifier should be done in the following steps:

1. Ensure that the ground is appropriate, then connect it to the amplifier.
2. Next step is to connect the +12V wire. Ensure all power terminals are used.
This cable has to be fused at the battery for safety precautions.
3. The final step is connecting the switched remote.

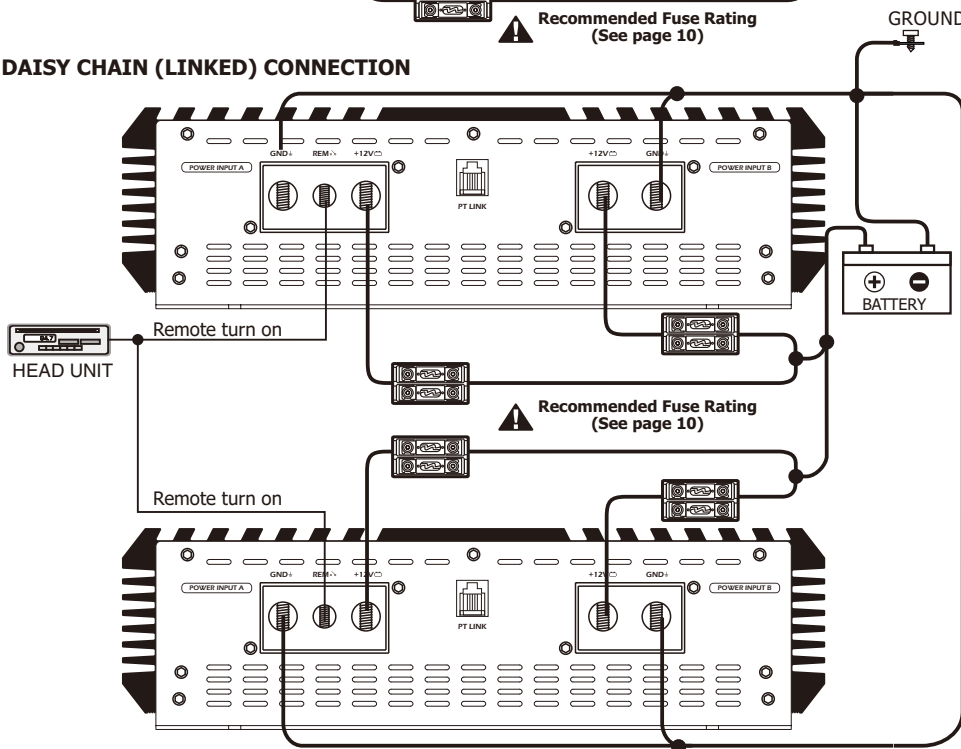
+12V(B+), GND, REM Connection

(COMPETITION 7000.1D)

SINGLE CONNECTION



DAISY CHAIN (LINKED) CONNECTION



CAUTION

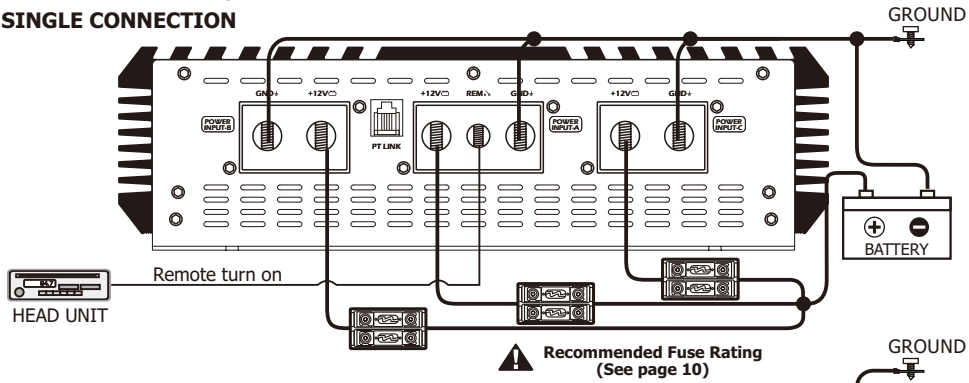
Keep GROUND of equal length. This drawing is for illustration purposes only.

We recommend using 12 AWG speaker cables to obtain intended performance.
Run 12 AWG speaker cables from your speakers to the amplifier's mounting location
Keep the speaker cables separate from the power cables and the amplifier's input cables.
Use grommets where the cables have to penetrate the vehicle chassis.
Connect the speaker wires according to the terminals on each speaker.
Strip 1cm, 3/8" of insulation of the end of each cable and twist the cables strands together tightly.
Make sure there are no stray strands that might touch other cables or terminals and cause short circuit.
Connect the cable ends to the amplifier as shown in the speaker wiring diagram.

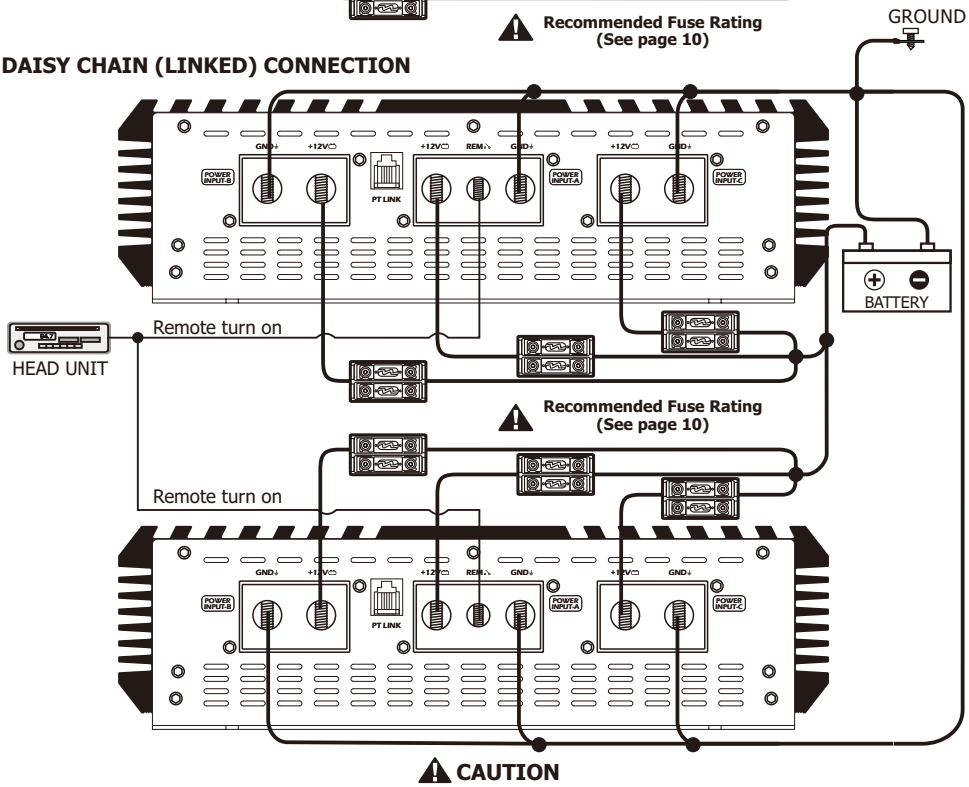
+12V(B+), GND, REM Connection

(COMPETITION 12000.1D)

SINGLE CONNECTION



DAISY CHAIN (LINKED) CONNECTION



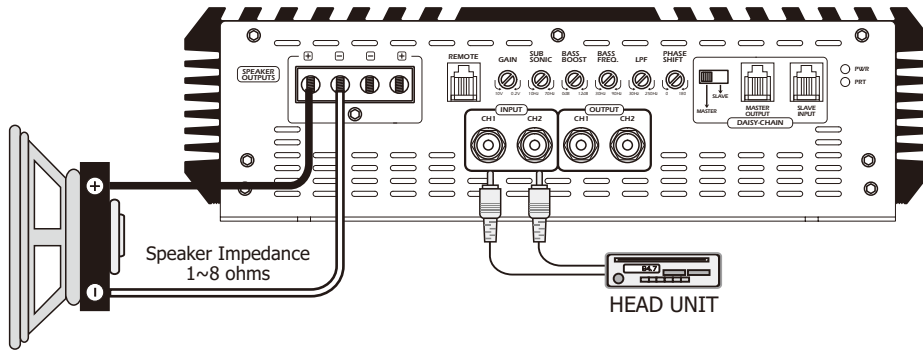
Keep GROUND of equal length. This drawing is for illustration purposes only.

We recommend using 12 AWG speaker cables to obtain intended performance.
Run 12 AWG speaker cables from your speakers to the amplifier's mounting location
Keep the speaker cables separate from the power cables and and the amplifier's input cables.
Use grommets where the cables have to penetrate the vehicle chassis.
Connect the speaker wires according to the terminals on each speaker.
Strip 1cm, 3/8" of insulation of the end of each cable and twist the cables strands together tightly.
Make sure there are no stray strands that might touch other cables or terminals and cause short circuit.
Connect the cable ends to the amplifier as shown in the speaker wiring diagram.

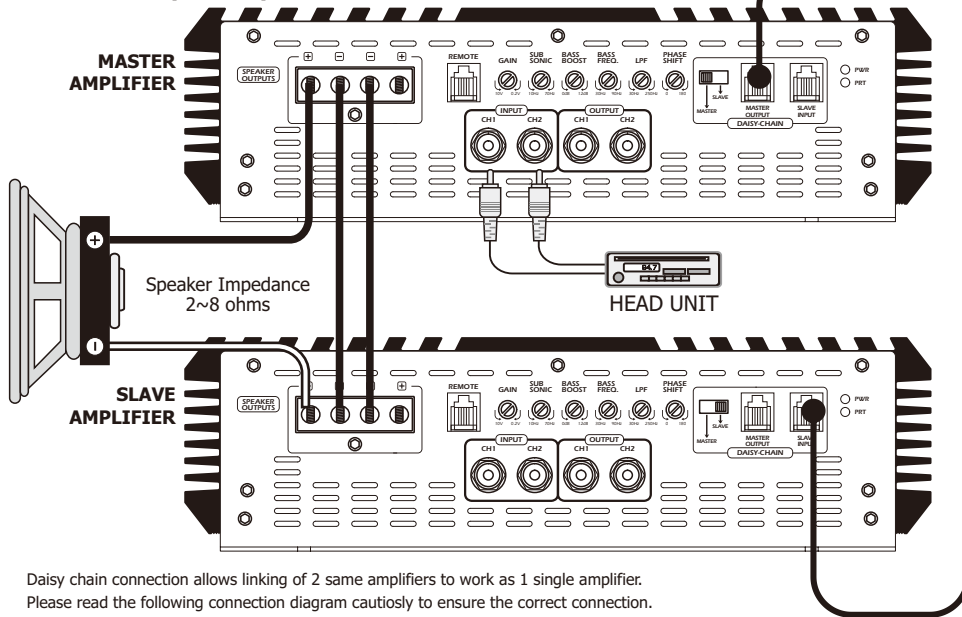
Speaker connection



(COMPETITION 7000.1D / COMPETITION 12000.1D)

SINGLE CONNECTION



DAISSY CHAIN (LINKED) CONNECTION



- Daisy chain connection allows linking of 2 same amplifiers to work as 1 single amplifier. Please read the following connection diagram cautiously to ensure the correct connection.
- Step 1. Connect the master amplifier to the head unit and set its output master and input slave switch to output master position ()
 - Step 2. Connect the master and slave amplifier in daisy chain RCA jack as shown in the diagram.
 - Step 3. Set **slave** amplifier output master & input slave switch to **slave input** position ()
 - Step 4. Connect speaker cable (+) on master amplifier to subwoofer (+)
 - Step 5. Connect speaker cable (+) on slave amplifier to subwoofer (-)
 - Step 6. Connect speaker cable (-) on master amplifier to speaker cable (-) on slave amplifier using 8 AWG wire cable.



The minimum impedance as 1 unit is 1 Ω.
In a daisy chain configuration the minimum impedance is 2 Ω.

Troubleshooting

Assure that the Power LED is on, if so please proceed with step # 3, if not, continue with the steps below;

1. Check the in line fuse (s) on the battery's positive cable, replace if needed.
2. Assure that the Ground is properly attached to the vehicle's chassis on a clean metal point, tighten or grind the connection point once again.
3. Our amplifiers have a high voltage protection. Make sure that the operating voltage is between 8.5V~18V and voltages above this range will cause the amplifier to go into protect.

Protect LED is on

1. The Protect LED will come on due to the possible circumstances;
 - a) The impedance connected is under the specified load.
 - b) Thermal (Overheat), allow for a more suitable mounting as recommended in the install section. Thermal may also appear if the impedance is under the specified or the voltage is inadequate.
 - c) Short circuitry, voltage and DC offset.
 - Short circuitry, go through all cables including speaker wires, GND, battery's positive cable. Voltage, please check step # 3, for DC offset, make sure that a voltage of no more than 4V is available. Remove the RCA from the input and check whether the amplifier comes out of protect. If so, check if the output from the Head unit has a DC of 4V, replace / repair if needed.

Audio output (no sound)

1. Assure that RCA connections from the Head unit and the amplifier is properly connected. Check the entire cable for damages or its like. Test the RCA inputs for DC volts with the source unit on, replace / repair if needed.
2. Check the routing of the cables, fuses and verify that all connections are connected accordingly.
3. Check whether the speakers are functional.

Turn on thump

1. Disconnect the signal input to the amplifier, then turn it on and off.
 - a) If the noise is cancelled, then connect a delay turn on module on the REM wire running from the source unit to the amplifier.
 - b) Use another 12V source for REM lead to the amplifier. If the noise is cancelled, use a relay to isolate the amplifier from the turn on thump.

Poor bass response

1. Check that the polarity of the speaker cables are correct. Speakers connected in anti-phase will cancel each other, thus the bass response will be absent.

Engine noise

1. Ensure that all signal transferring wires (RCA, speaker cables etc) are kept separately / away from the power and the ground wires.
2. Bypass all electrical components between the Head unit and the amplifier. Connect the Head unit directly to the amplifier's input. If the noise is eliminated, the unit bypassed is the one causing the noise.
3. Remove the existing ground wires for all electrical components installed. Ensure that the point of ground is 100% metal which has been grinded free of rust, paint etc.
4. Replace the ground cable from the OEM battery / alternator and ensure it is grounded accordingly.
5. Test the battery and alternator load (can be carried out by a professional). Ensure that the vehicle's electrical system is in a good condition, this includes distributor, spark plugs / wires, voltage regulators etc.

Specifications

MODEL CODE	COMPETITION 7000.1D	COMPETITION 12000.1D
Continuous power output @14.4V Input		
-RMS power, 4 ohms mono	: 1800W x 1CH	: 3150W x 1CH
-RMS power, 2 ohms mono	: 3800W x 1CH	: 6200W x 1CH
-RMS power, 1 ohm mono	: 7500W x 1CH	: 12500W x 1CH
-RMS power, 4 ohms linkable/dual mono	: 7400W x 1CH	: 12500W x 1CH
-RMS power, 2 ohms linkable/dual mono	: 16500W x 1CH	: 22500W x 1CH
Signal to noise ratio	: >100dB	: >100dB
Low pass frequency crossover	: 30Hz~250Hz	: 30Hz~250Hz
Subsonic filter	: 10Hz~70Hz	: 10Hz~70Hz
Bass boost	: 0~12dB	: 0~12dB
Bass boost Frequency	: 30Hz~90Hz	: 30Hz~90Hz
Phase shift control	: 0~180 degree	: 0~180 degree
Frequency response	: 10Hz~350Hz (+/- 1dB)	: 10Hz~350Hz (+/- 1dB)
T.H.D Continuous @ 4 ohm, 100Hz	: <0.15%	: <0.15%
Efficiency @ 4 ohm, 100Hz	: 90%	: 90%
Input sensitivity	: 10V ~ 200mV (+/- 5%)	: 8V ~ 200mV (+/- 5%)
Dimensions (mm)	: 290(W) x 76.5(H) x 600(L)	: 290(W) x 76.5(H) x 950(L)
Operating Voltage	: DC 8.5V~16V	: DC 8.5V~16V
RECOMMEND Fuse rating	: 600A (linked: 1200A)	: 1200A (linked: 2400A)

NOTES

GAS

CAR AUDIO

 **CE**
MADE IN KOREA