

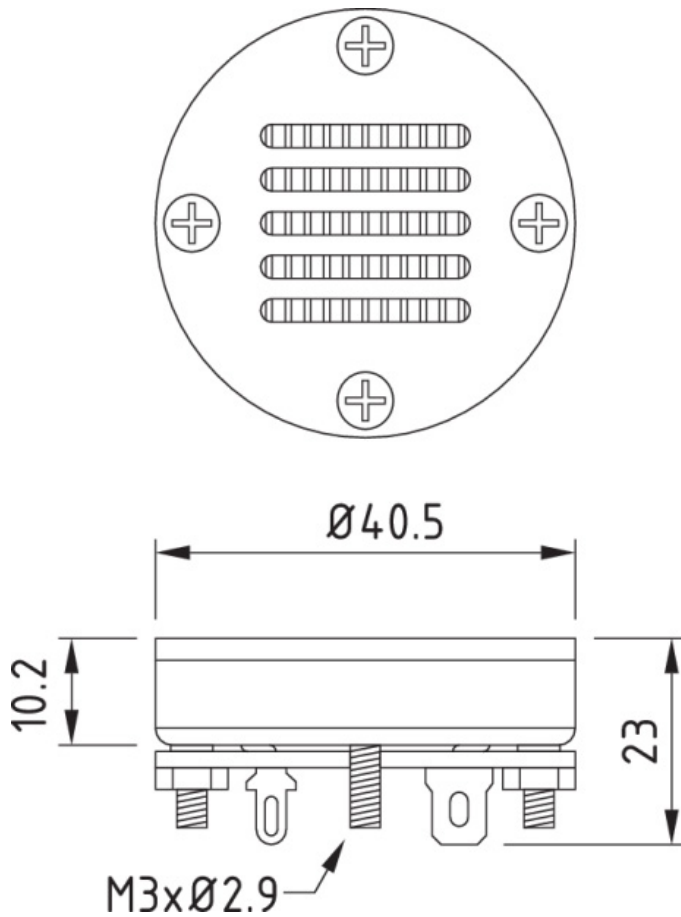


# AMT Mini-8 Air Motion Transformer Tweeter 8 Ohm

AMT Mini-8

## PARAMETERS

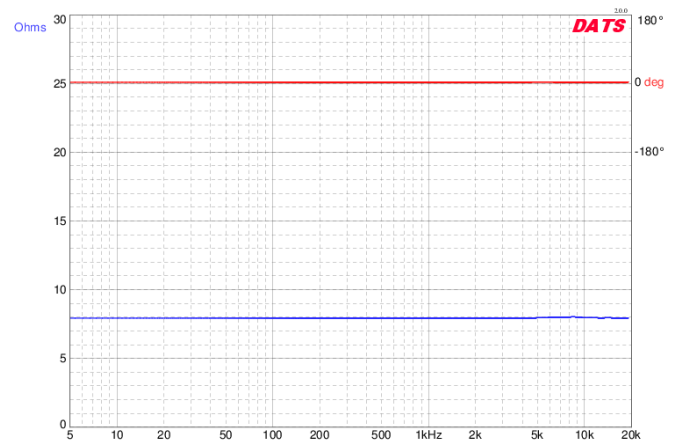
Impedance	8 ohms
Re	7.92 ohms
Le	N/A
Fs	N/A
Qms	1.86
Qes	N/A
Qts	1.84
Mms	N/A
Cms	N/A
Sd	3.8 cm <sup>2</sup>
Vd	N/A
BL	N/A
Vas	N/A
Xmax	N/A
VC Diameter	N/A
SPL	88 dB @ 1W/1m
RMS Power Handling	15 watts
Usable Frequency Range (Hz)	3,500 - 40,000 Hz



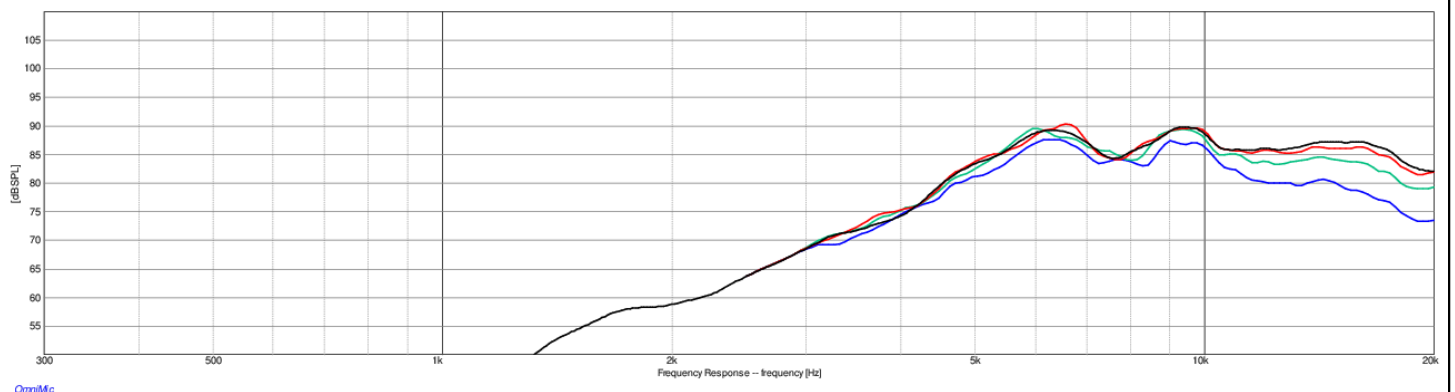
## FEATURES

- Advanced Air Motion Transformer design
- Folded Kapton ribbon diaphragm delivers clean, detailed, and highly dynamic output
- Miniature design can be mounted virtually anywhere
- Powerful, lightweight neodymium magnet structure for low distortion and high efficiency

## IMPEDANCE/PHASE



## FREQUENCY RESPONSE



Note: 1/12th octave smoothing - nearfield response included in graph below 450 Hz.

Black = 0°  
Red = 15°  
Green = 30°  
Blue = 45°