

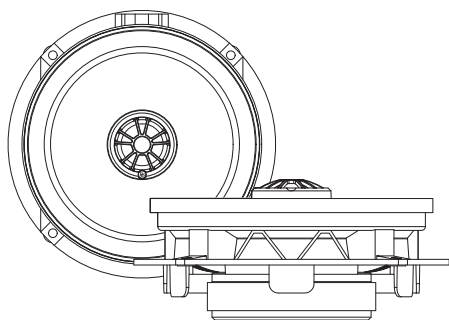
CRPP-2.6CX

User manual

Seat / Skoda / VW



CRUISE



Welcome to DLS!

Thank you for buying a DLS Cruise CRPP-2.6CX. For us, it's all about the sound experience. We care deeply about sound and construction quality. In order for your experience to be as optimal as possible, it is important that you fully read this manual, preferably before you start your installation. Keep the manual in a safe and accessible place for future reference.

Your speakers must be installed correctly in order to work as intended. Make sure you have all necessary tools nearby before starting and that you are completely confident in how to proceed. If you feel the slightest uncertainty; feel free to take the help of an experienced installer or a car audio dealer.

Warranty

This coaxial speaker is covered by warranty, depending on the conditions in the country where it is sold. If the speaker is returned for service, please include the original dated receipt with the product.

Declaration of conformity

DLS plug and play speakers for vehicles are manufactured in accordance with the EU directive EEC 95/54 (72/245/ EEC) and are marked with the approval number. They are also marked in accordance with the WEEE-directive 2012/19/EC. The products are also produced in accordance with the EU RoHS directive 2015/863/EU.

DLS CRUISE

CRPP-2.6CX

Content

Welcome	1
Pre installation	2
Dismount door panel	2
Remove door speaker	3
Mount door speaker	3
Running-in time	4
Technical assistance	4
Specification speaker	5
Compatible car models	7
Product markings	9

DLS speakers are engineered by DLS Sweden,
a part of:

Winn Scandinavia AB

Elementvägen 15 - SE-702 27 Örebro - Sweden

Tel: +46 19 20 67 65 - E-mail: info@dls.se

www.dls.se

Designed & Sound tuned in Sweden.

**Included products:**

2pcs Coaxial speakers

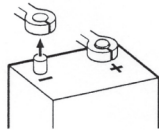
Included in box:

4pcs Adhesive foams for wrapping
4pcs Terminal crimp connectors
10pcs Blind rivets
1pc PRY Tool
1pc Manual

Pre installation

Disconnect Battery

Before you start the process of replacing speakers, disconnect and secure the negative terminal from your battery/power source. This will prevent the risk of damaging yourself or the products.



Place the disconnected terminal in a secure and isolated location away from any possible connection belonging to the battery/power source system.

General info

Some sound systems may vary in size of the door speaker. Make sure that your vehicle has the same size as this coaxial speaker, before you start the assembly.

This is a generic mounting instruction. The approach is similar to all of the described car models. Some screws and clips may be placed differently and depending on your car model.

The DLS CRPP-2.6CX can be installed instead of DLS CRPP-2.6 but the OEM tweeter will in this case, still be connected.

Installation

Dismount door panel

Dismount the door by removing the cover of the door panel.

Hint: Use plastic PRY tools to avoid marks on the panels and destroy the plastic clips.



Usually the clips/screws are placed by the white rings. It may be different in your vehicle.



In most cases the screws used are Torx T30. Unscrew them and store them in a safe place, to re-use when re-mounting the door panel.

Use a wrench, size 10. Normally the bolt is located at the underside of the door. Turn bolt 90 degrees.

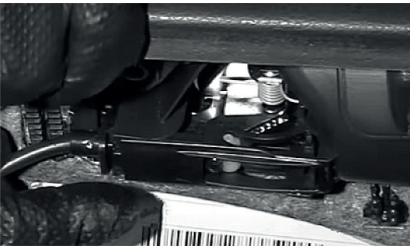




Be careful when removing the panels and lids, so there will be no marks.

When the door panel is loose, start with softly lifting it straight up, to remove the panel.

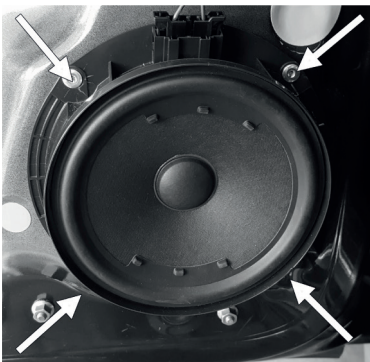
There are several electric and mechanical connectors on the backside of the panel. Release the door lock cable.



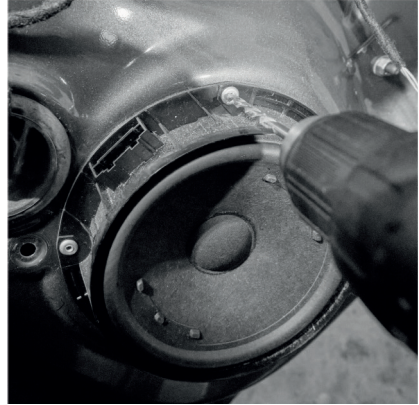
Disconnect the window control panel, cables for lights, speaker cable harness and any other connections.

Remove door speaker

The door speakers are fixed with rivets.



Use a 4mm drill to remove the rivets. Make sure all remains from the old rivets are removed from the inside of the door.



Just drill enough to remove the top of the rivets.

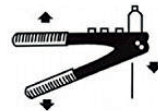
Mount door speakers

Place the new DLS driver in the hole for the speaker. DLS recommends using a rivet tool (not included in CRPP-2.6CX) and rivets to safely mount the driver. (Step 3 might be done several times)

1. Insert rivet
2. Plug in the rivet tool



3. Press handles
4. Remove the pin



Connect the speaker harness

Start the assembly of the door panel. Reconnect all wires harness.

Connect all plugs to the door cover, reconnect the unlocking device, place the door cover from the top, by the window seal and push it gently down. Make sure the clips are in place and can engage. Give the door panel a push by the hand to attach to the clips. Mount and fasten all screws to the correct places.



Finally

Start assembling the covers again to finish the work. Make sure that no screws or clips are left over, reconnect the battery/power source terminal.

Finally, it's time to play some good music and enjoy!



Running-in time

Allow the coaxial speaker to play for at least 15-20 hours in order to perform at its possibly best. This run-in can be made with tone sweep or with just music.

Start at a moderate volume and increase the volume step by step during the running in period. After the 15-20 hour run in session the performance and characteristics will be in the correct condition.



DLS Support

For technical assistance, ask your car audio dealer where the product was sold or the distributor in your country. You can always contact the DLS Helpdesk in Sweden at e-mail: info@dls.se. Information can also be found on our WEB-site www.dls.se. We follow a policy of continuous advancement in development. For this reason, all or part of the specifications and designs may be changed without prior notice.



Specifications

Art. no CK-CRPP-2.6CX

Woofers 6.5" / 165 mm with glass fiber cone
Tweeter 1" / 25 mm silk dome tweeter with accessories
RMS Power 90 W
MAX Power 180 W
Impedance 3 Ohm
Sensitivity 90dB 1W / 1M
Freq. range 65 Hz - 25 kHz
Crossover 4.8 kHz 6dB / Oct with Mundorf caps

DLS Cruise CRPP-2.6CX Tweeter

Technical Specification:
Size 1" / 25.4 mm
Voice Coil Material CCAW voice coil / Aluminium former
Frame Glass Fiber Reinforced ABS
Magnet Neodymium / Copper shorting ring
Cone Natural silk dome

DLS Cruise CRPP-2.6CX Woofer

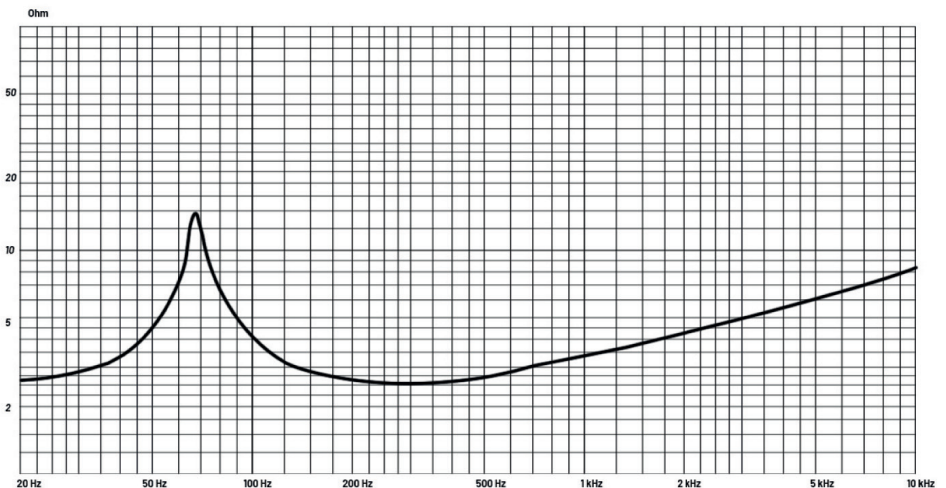
Technical Specification

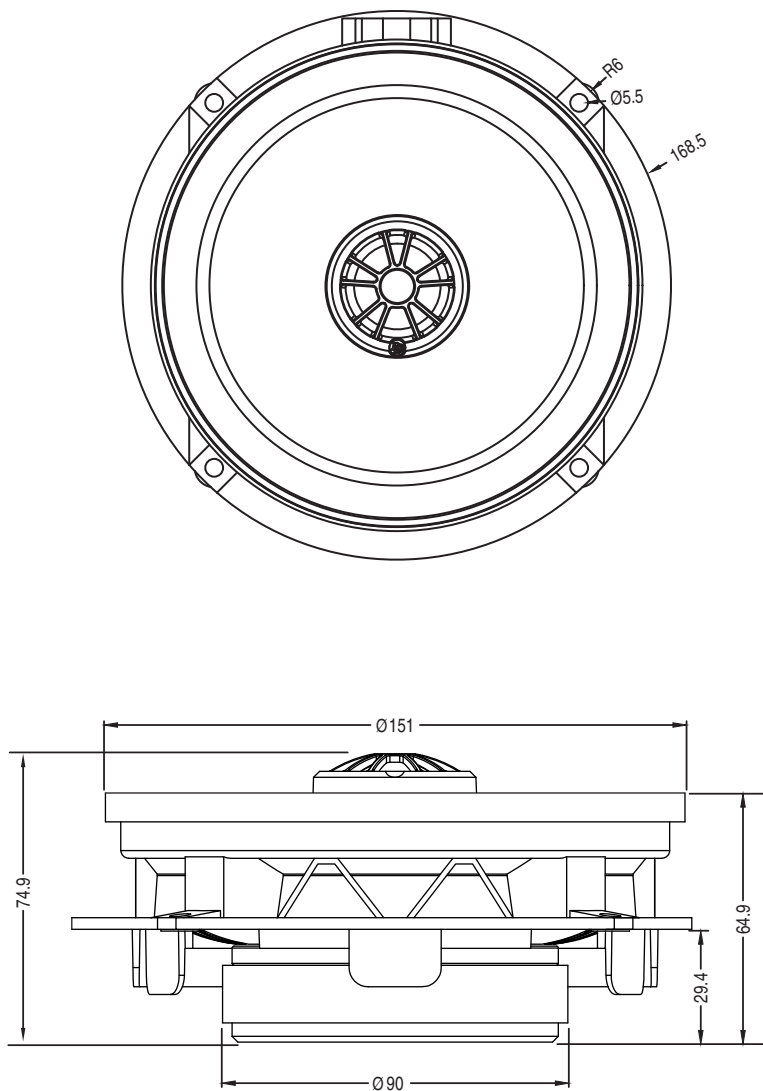
Size 6.5" / 165 mm
Voice Coil Size 1" / 25mm
Voice Coil Material CCAW voice coil / Kapton former
Basket Glass Fiber Reinforced ABS
Magnet Ferrite
Cone Glass Fiber
Suspension Rubber

Electro-Acoustic Parameters

Re 2.7 Ohm
Fs 74.4 Hz
Mms 10.7 gr
Cms 0.426
Vas 11.1L
Qts 0.87
Qes 0.97
Qms 9.0
Bl 3.96 T.m
Spl 88.7 dB 1W/1M
Sd 139 cm²

Impedance VS Frequency







DLS Cruise CRPP-2.6CX

The DLS coaxial speaker is developed to be installed in the back door of your car. However, you can install it as a front speaker in your system even if an OEM component kit is installed in your car. The tweeter level will be different due to the placement of the tweeter in the coaxial speaker and your OEM tweeter will still be connected, by default to your stereo.

DLS Cruise CRPP-2.6CX compatible car models

Car	Model	Year	Front speaker	Rear speaker
MAN	TGE	2017-2022	CRPP-2.6CX*	
SEAT	ALTEA	2004-2015	CRPP-2.6CX*	CRPP-2.6CX*
SEAT	ALTEA XL	2004-2015	CRPP-2.6CX*	CRPP-2.6CX*
SEAT	ARONA	2018-2021	CRPP-2.6CX*	CRPP-2.6CX*
SEAT	AROSA	1997-2004	CRPP-2.6CX*	
SEAT	ATECA	2016-2021	CRPP-2.6CX*	CRPP-2.6CX*
SEAT	CORDOBA II	2002-2009	CRPP-2.6CX*	CRPP-2.6CX*
SEAT	IBIZA III	2001-2008	CRPP-2.6CX*	CRPP-2.6CX*
SEAT	IBIZA IV	2008-2017	CRPP-2.6CX*	
SEAT	IBIZA V	2018-2021	CRPP-2.6CX*	CRPP-2.6CX*
SEAT	LEON	2000-2005	CRPP-2.6CX*	
SEAT	LEON II	2006-2012	CRPP-2.6CX*	CRPP-2.6CX*
SEAT	MII	2012-2021	CRPP-2.6CX*	
SEAT	TOLEDO II	1994-2004	CRPP-2.6CX*	
SEAT	TOLEDO III	2004-2009	CRPP-2.6CX*	CRPP-2.6CX*
SEAT	TOLEDO IV	2012-2019	CRPP-2.6CX*	
SKODA	CITIGO	2012-2021	CRPP-2.6CX*	CRPP-2.6CX*
SKODA	FABIA I	1999-2007	CRPP-2.6CX*	CRPP-2.6CX*
SKODA	FABIA II	2007-2014	CRPP-2.6CX*	CRPP-2.6CX*
SKODA	FABIA III	2015-2021	CRPP-2.6CX*	CRPP-2.6CX*
SKODA	KAMIQ	2019-2021	CRPP-2.6CX*	CRPP-2.6CX*
SKODA	KAROQ	2018-2021	CRPP-2.6CX*	CRPP-2.6CX*
SKODA	KODIAQ	2017-2022	CRPP-2.6CX*	CRPP-2.6CX*
SKODA	OCTAVIA II	2004-2013	CRPP-2.6CX*	CRPP-2.6CX*
SKODA	OCTAVIA III	2013-2019	CRPP-2.6CX*	CRPP-2.6CX*
SKODA	ROOMSTER	2006-2015	CRPP-2.6CX*	CRPP-2.6CX*
SKODA	RAPID	2012-2021	CRPP-2.6CX*	CRPP-2.6CX*
SKODA	SCALA	2019-2021	CRPP-2.6CX*	CRPP-2.6CX*
SKODA	SUPERB	2008-2015		CRPP-2.6CX*
SKODA	SUPERB	2016-2021	CRPP-2.6CX*	CRPP-2.6CX*
SKODA	YETI	2009-2017	CRPP-2.6CX*	CRPP-2.6CX*
SKODA	YETI II	2018-2021		CRPP-2.6CX*

More models on next page



Car	Model	Year	Front speaker	Rear speaker
VW	ARETON	2017-2021		CRPP-2.6CX*
VW	AMAROK	2010-2021	CRPP-2.6CX*	CRPP-2.6CX*
VW	ATLAS	2010-2021		CRPP-2.6CX*
VW	NEW BEETLE	1997-2011	CRPP-2.6CX*	CRPP-2.6CX*
VW	BEETLE	2011-2021		CRPP-2.6CX*
VW	BORA	1998-2005	CRPP-2.6CX*	CRPP-2.6CX*
VW	BORA VARIANT	1999-2005	CRPP-2.6CX*	CRPP-2.6CX*
VW	C-Trec	2016-2021	CRPP-2.6CX*	CRPP-2.6CX*
VW	CADDY	2020-2021	CRPP-2.6CX*	
VW	CRAFTER II	2017-2021	CRPP-2.6CX*	
VW	EOS	2006-2011		CRPP-2.6CX*
VW	GOLF IV	1997-2004	CRPP-2.6CX*	CRPP-2.6CX*
VW	GOLF V	2004-2008	CRPP-2.6CX*	CRPP-2.6CX*
VW	GOLF VI	2008-2014	CRPP-2.6CX*	CRPP-2.6CX*
VW	GOLF VII	2012-2020	CRPP-2.6CX*	CRPP-2.6CX*
VW	GOLF VIII	2020-2021	CRPP-2.6CX*	CRPP-2.6CX*
VW	ID 3	2020-	CRPP-2.6CX*	
VW	ID 4	2021-	CRPP-2.6CX*	
VW	JETTA	2005-2010	CRPP-2.6CX*	CRPP-2.6CX*
VW	JETTA VII	2015-2021	CRPP-2.6CX*	CRPP-2.6CX*
VW	LAVIDA	2008-2018	CRPP-2.6CX*	CRPP-2.6CX*
VW	LAVIDA PLUS	2018-2021	CRPP-2.6CX*	CRPP-2.6CX*
VW	LUPO	1998-2005	CRPP-2.6CX*	
VW	MAGOTAN	2013-2016	CRPP-2.6CX*	CRPP-2.6CX*
VW	MAGOTAN	2017-2021		CRPP-2.6CX*
VW	NIVUS	2020-2021	CRPP-2.6CX*	CRPP-2.6CX*
VW	PASSAT	1996-2005	CRPP-2.6CX*	CRPP-2.6CX*
VW	PASSAT	2005-2015	CRPP-2.6CX*	CRPP-2.6CX*
VW	PASSAT	2015-2021		CRPP-2.6CX*
VW	POLO IV	2001-2009	CRPP-2.6CX*	CRPP-2.6CX*
VW	POLO V	2009-2016	CRPP-2.6CX*	CRPP-2.6CX*
VW	POLO VI	2017-2021	CRPP-2.6CX*	CRPP-2.6CX*
VW	NEW SANTANA	2012-2021	CRPP-2.6CX*	CRPP-2.6CX*
VW	SCIROCCO	2008-2017	CRPP-2.6CX*	CRPP-2.6CX*
VW	T6.1 MULTIVAN	2020-2021	CRPP-2.6CX*	
VW	TAREK	2018-2021	CRPP-2.6CX*	CRPP-2.6CX*
VW	TAYRON	2019-2021		CRPP-2.6CX*
VW	TERAMONT	2018-2021		CRPP-2.6CX*
VW	THARU	2018-2021	CRPP-2.6CX*	CRPP-2.6CX*
VW	TIGUAN	2007-2021	CRPP-2.6CX*	CRPP-2.6CX*
VW	TOURAN	2003-2021		CRPP-2.6CX*
VW	T-CROSS	2019-2021	CRPP-2.6CX*	CRPP-2.6CX*
VW	T-ROC CAB	2020-2021	CRPP-2.6CX*	CRPP-2.6CX*
VW	T-ROC	2017-2021	CRPP-2.6CX*	CRPP-2.6CX*
VW	UP E-UP!	2011-2021	CRPP-2.6CX*	CRPP-2.6CX*
VW	VENTO	2010-2020	CRPP-2.6CX*	CRPP-2.6CX*

Disclaimer

* DLS CRPP-2.6CX is not compatible if your vehicle is with the original Premium Hi-fi system/Dynaudio system/Fender Audio system, or sound system with 8" door speakers.

Product markings



The crossed-out wheelee bin symbol means that the product, literature and packaging included must be taken to separate collection at the end of their working life. Do not dispose of these products as unsorted municipal waste: take them for recycling. For info on your nearest recycling point, check with your local waste authority.



This product has been granted with the CE certification mark to show that the product follows the health, safety, and environmental protection standards for products sold within the European Economic Area (EEA).



DLS products complies with the relevant provisions of the RoHS Directive for the European Union. In common with all Electrical and Electronic Equipment (EEE) the product should not be disposed of as household waste. Alternative arrangements may apply in other jurisdictions.



DLS is a global partner of the European Mobile Media Association, an organisation that focus on promoting the custom made mobile media installations to consumers.

We follow a policy of continuous advancement in development. For this reason all or part of specifications & designs may be changed without prior notice. We reserve for possible typos, factual or numeric errors that may have been printed on any products, package designs, user manuals and/or other included accessories.





CRUISE **E**