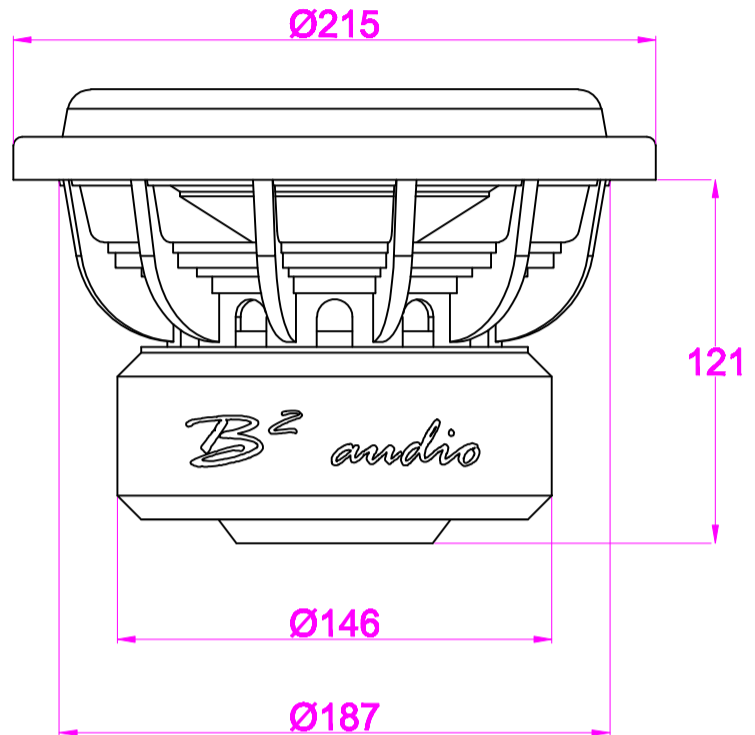
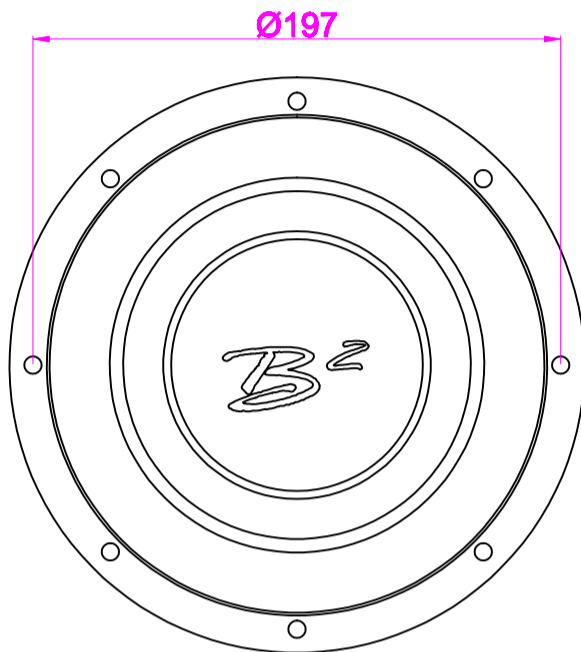




MODEL: ES8"

Product id: ES8D412



#### Enclosure suggestions

Sealed: 13L (0.459ft<sup>3</sup>)

Ported: 21L (0.741ft<sup>3</sup>)

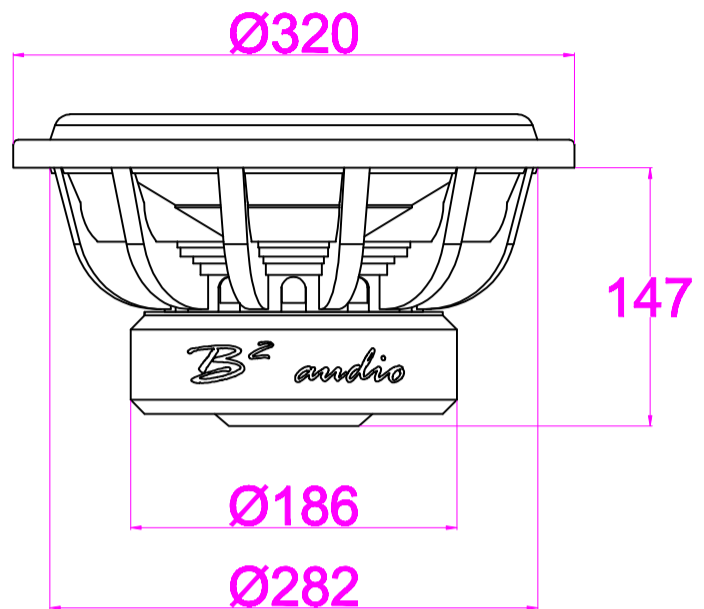
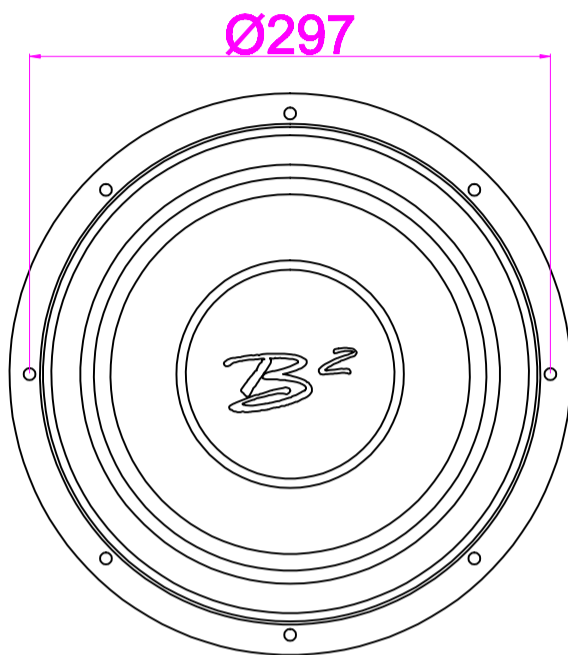
1 x 3" port L: 28 cm

|                              |           |
|------------------------------|-----------|
| Power handling*:             | 300 wrms  |
| Sensitivity:                 | 86,9 dB   |
| Nominal impedance:           | Dual 4Ω   |
| X-Max:                       | 15 mm     |
| Equivalent Compliance (Vas): | 6,094 L   |
| Free Air Resonance (Fs):     | 52,8 Hz   |
| Electrical "Q" (Qes):        | 0,48      |
| Mechanical "Q" (Qms):        | 2,848     |
| Total Speaker "Q" (Qts):     | 0,412     |
| DC Resistance (Re):          | 3.6 Ω     |
| Magnet weight (Oz):          | 2 x 40 Oz |

# B<sup>2</sup> audio

[www.b2-audio.com](http://www.b2-audio.com) / [www.b2audio.com](http://www.b2audio.com)  
Sales & Marketing: [bh@b2-audio.com](mailto:bh@b2-audio.com)  
Technical support: [bm@b2-audio.com](mailto:bm@b2-audio.com)  
General requests: [b2audio@hotmail.com](mailto:b2audio@hotmail.com)  
[www.facebook.com/b2audio](http://www.facebook.com/b2audio)

\*It is essential that our woofers are given time to allow the suspension to soften up. Depending on usage, this may take several weeks. While this process is undergoing, it is not recommended to apply full amplification power according to the woofers specs. Once the moving parts have been broken in, the performance of your subwoofer will increase.



### Enclosure suggestions

Sealed: 30L (1.059ft<sup>3</sup>)

Ported: 45L (1.589ft<sup>3</sup>)

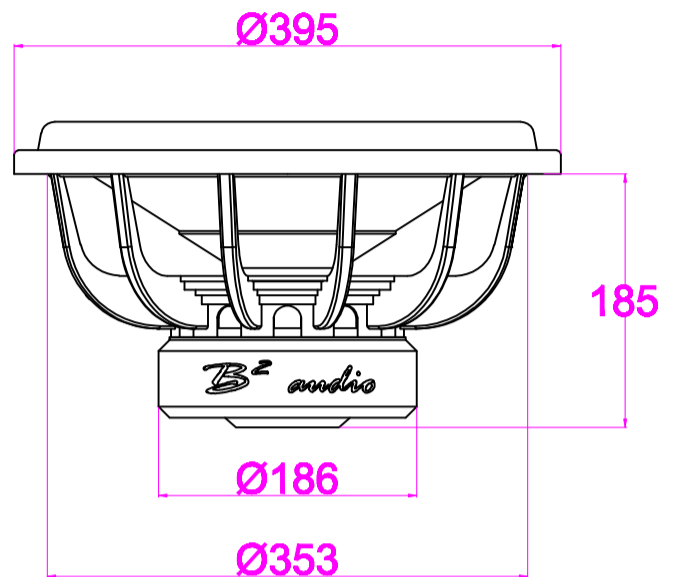
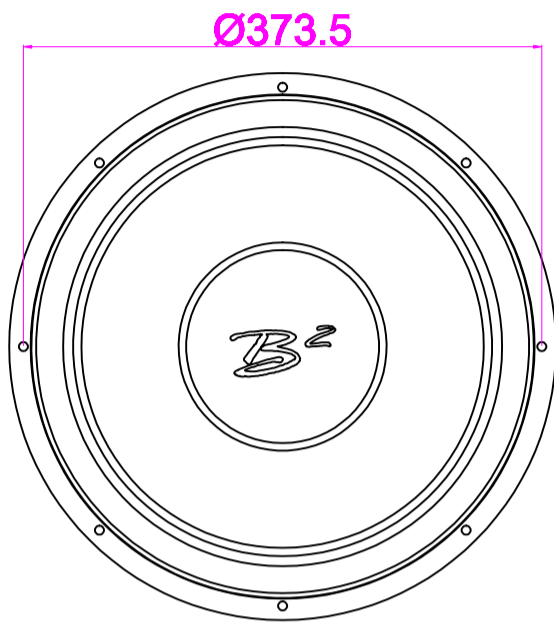
1 x 4" port L 28 cm

|                              |           |
|------------------------------|-----------|
| Power handling*:             | 600 wrms  |
| Sensitivity:                 | 88,9 dB   |
| Nominal impedance:           | Dual 2Ω   |
| X-Max:                       | 22 mm     |
| Equivalent Compliance (Vas): | 32,145 L  |
| Free Air Resonance (Fs):     | 34,8 Hz   |
| Electrical "Q" (Qes):        | 0,531     |
| Mechanical "Q" (Qms):        | 2,931     |
| Total Speaker "Q" (Qts):     | 0,45      |
| DC Resistance (Re):          | 2.2 Ω     |
| Magnet weight (Oz):          | 2 x 65 Oz |



MODEL: ES15"

Product id: ES15D212



### Enclosure suggestions

Sealed: 50~80L (1.76~2.82ft<sup>3</sup>)      Ported: 75L (2.648ft<sup>3</sup>)  
2 x 4" port L 36 cm

|                              |           |
|------------------------------|-----------|
| Power handling*:             | 1000 wrms |
| Sensitivity:                 | 91,9 dB   |
| Nominal impedance:           | Dual 2Ω   |
| X-Max:                       | 28 mm     |
| Equivalent Compliance (Vas): | 97,43 L   |
| Free Air Resonance (Fs):     | 34,4 Hz   |
| Electrical "Q" (Qes):        | 0,691     |
| Mechanical "Q" (Qms):        | 3,075     |
| Total Speaker "Q" (Qts):     | 0,564     |
| DC Resistance (Re):          | 2.1 Ω     |
| Magnet weight (Oz):          | 2 x 78 Oz |

\*It is essential that our woofers are given time to allow the suspension to soften up. Depending on usage, this may take several weeks. While this process is undergoing, it is not recommended to apply full amplification power according to the woofers specs. Once the moving parts have been broken in, the performance of your subwoofer will increase.