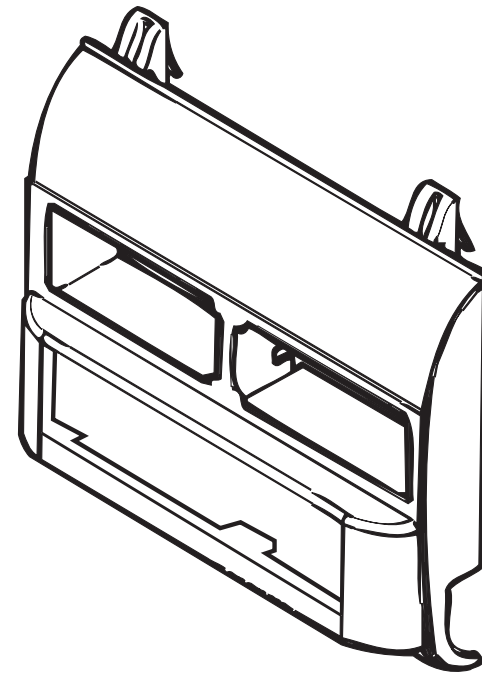


For information about other American International automotive accessories visit our website at:

<http://www.aius.net>



**American
International**
Car Stereo Installation Kits & Accessories



GMK333 Mounting Kit



American International

2500 East Francis Street Ontario, CA 91761, U.S.A.
USA Sales (800) 336-6500
Canada Sales (888) 922-3006

VEHICLE APPLICATIONS

Chevrolet

1988-94 FULL SIZE P/U
1992-94 BLAZER FULL SIZE
1992-94 CREW CAB DUALY P/U
1992-94 SUBURBAN

GMC

1988-94 FULL SIZE P/U
1992-94 CREW CAB DUALY P/U
1992-94 SUBURBAN
1992-94 YUKON

CUSTOMER HELP LINE

USA 800-323-4329 • Canada 800-245-8777

iGMK333

©2015 AMERICAN INTERNATIONAL INDUSTRIES, INC.

TECH Ver. 01/15 PRINT Ver. 01/15

GMK333

DASHBOARD DISASSEMBLY INSTRUCTIONS

NOTE: If you wish to replace the factory radio control unit in the upper right corner of the dash. Part #GMP-333 is required.

1. Remove the dash panel from below the steering column by removing the two, (2) Phillips head screws from the beneath the outside corners of the panel.
2. Locate the amplifier / tuner module mounted directly under the front edge of the dash above the gas pedal and throttle cable.
(Rectangular silver box)
3. Removed the tuner / amplifier unit by removing the (3) 9/32" screws securing the unit to the firewall and from under the front edge of the dash above the throttle pedal.
4. Unplug the wire harnesses and antenna lead from the tuner/ amplifier unit.
5. Using a panel removal tool, carefully pull the lower corners of the central air vent / cassette trim bezel forward from the dash face to detach two, (2) metal retaining clips from the sub-dash. Save for Kit Assembly (This panel is located between the glove box and the instrument cluster, and may house a cassette deck with graphic equalizer, or a cassette deck and pocket).
6. When the two, (2) lower retaining clips are detached, at the top corners of the bezel, press downward to release the two, (2) molded plastic retaining tabs built into the bezel to release the panel from the sub-dash.
7. Remove the two, (2) 9/32" hex-head screws securing the cassette deck / equalizer to the sub-dash (If equipped), pull the unit forward, carefully feed the attached wire cable from under the drivers side dash back to the center dash panel/cassette cavity and then remove it from the dashboard. (You will need to cut a wire tie supporting the cassette deck / equalizer wire harness to a main harness in the dashboard cavity located to the left of the cassette / equalizer opening). Be extremely careful not to cut into either wire harness!
8. Remove the cassette / equalizer rear support bracket. This is where the rear plastic "pin" on the cassette / equalizer unit is inserted for rear support. Unscrew the three, (3) 9/32" hex-head screws, and then remove the bracket from the sub-dash.
9. Once the original tuner / amplifier and cassette / equalizer units are removed, you will then re-route the factory antenna lead and wiring harness to the center dash location for connection to the new radio being installed. (Extending the power and speaker leads may be required.)

KIT ASSEMBLY

1. Insert clips from factory panel into the GMK333.

FOR DIN MOUNT APPLICATIONS

Insert DIN sleeve from your new radio into the radio opening of the installation kit and depress the tabs on front edge of sleeve to secure sleeve to kit.

